

# PRODUCT INFORMATION PACKET

Model No: 5K46MN2533

Catalog No: K637

General Purpose Motor, 2 & 1.50 HP, 3 Ph, 60 & 50 Hz, 230/460 & 190/380 V, 3600 & 3000 RPM,  
56C Frame, TEFC





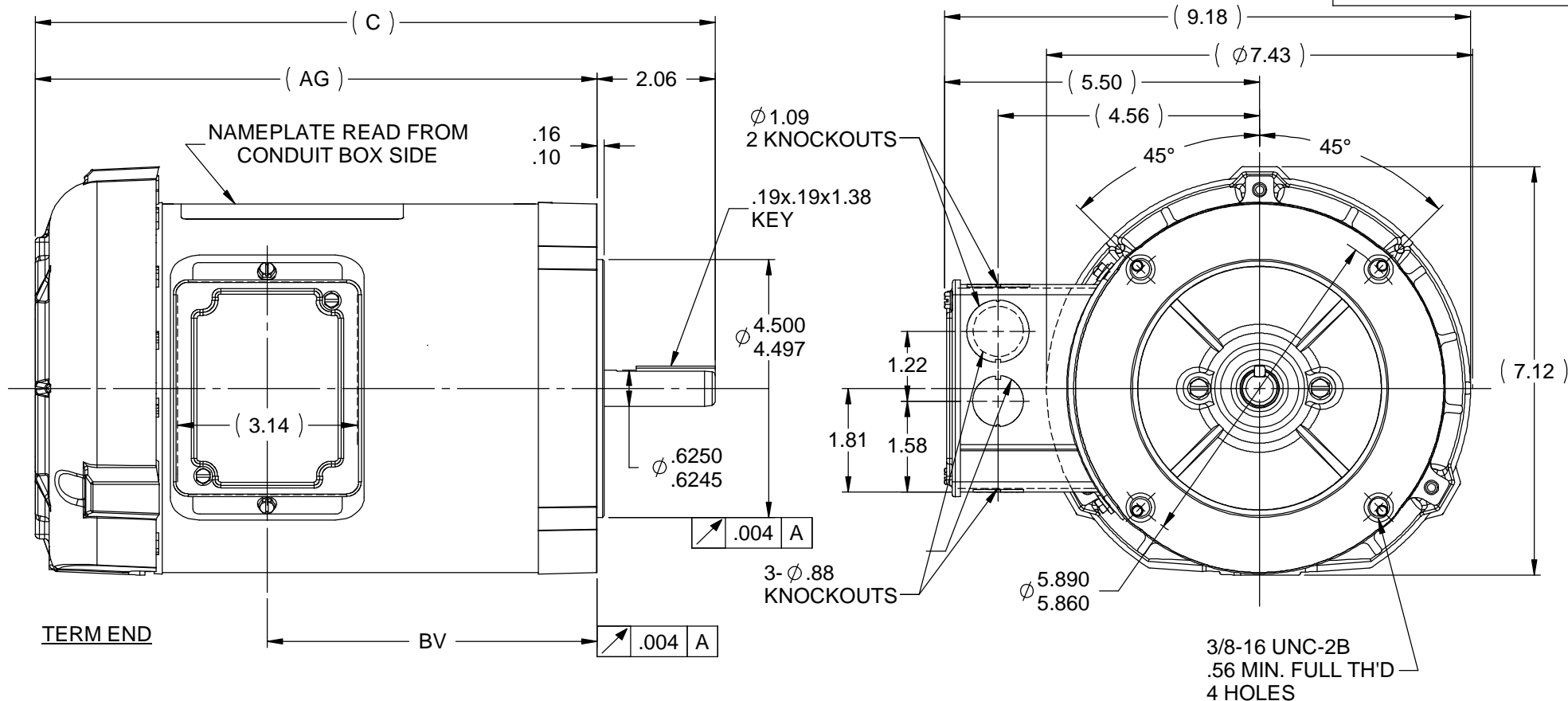
### Nameplate Specifications

Phase	<b>3</b>	Output HP	<b>2 &amp; 1.50 Hp</b>
Output KW	<b>1.5 &amp; 1.1 kW</b>	Voltage	<b>230/460 &amp; 190/380 V</b>
Speed	<b>3450 &amp; 2850 rpm</b>	Service Factor	<b>1.15 &amp; 1.15</b>
Frame	<b>56C</b>	Enclosure	<b>Totally Enclosed Fan Cooled</b>
Thermal Protection	<b>No Protection</b>	Efficiency	<b>80 &amp; 80 %</b>
Ambient Temperature	<b>40 °C</b>	Frequency	<b>60 &amp; 50 Hz</b>
Current	<b>6/3 &amp; 5.6/2.8 A</b>	Power Factor	<b>76.5</b>
Duty	<b>Continuous</b>	Insulation Class	<b>B</b>
Design Code	<b>B</b>	KVA Code	<b>L</b>
Drive End Bearing Size	<b>NONE</b>	Opp Drive End Bearing Size	<b>NONE</b>
UL	<b>Recognized</b>	CSA	<b>Y</b>
CE	<b>Y</b>	IP Code	<b>43</b>
Number of Speeds	<b>1</b>		

### Technical Specifications

Electrical Type	<b>Squirrel Cage Induction Run</b>	Starting Method	<b>Across The Line</b>
Poles	<b>2</b>	Rotation	<b>Reversible</b>
Resistance Main	<b>7.7 Ohms</b>	Mounting	<b>Round</b>
Motor Orientation	<b>Horizontal</b>	Drive End Bearing	<b>Ball</b>
Opp Drive End Bearing	<b>Ball</b>	Frame Material	<b>Rolled Steel</b>
Shaft Type	<b>T</b>	Overall Length	<b>12.32 in</b>
Shaft Diameter	<b>0.625 in</b>	Shaft Extension	<b>2.06 in</b>
Assembly/Box Mounting	<b>F1 ONLY</b>		
Connection Drawing	<b>A-EE7308</b>	Outline Drawing	<b>A-100103-706</b>

100103



DASH	FRAME	C	AG	BV	DASH	FRAME	C	AG	BV
606	56-60	11.32	9.25	5.31	806	56-60	13.32	11.25	7.31
656	" -65	11.82	9.75	5.81	856	" -65	13.82	11.75	7.81
706	" -70	12.32	10.25	6.31	906	" -70	14.32	12.25	8.31
756	" -75	12.82	10.75	6.81	956	" -75	14.82	12.75	8.81

NOTE:  
CONDUIT BOX CAN BE ROTATED 180°

		TOLERANCES UNLESS SPECIFIED		MARATHON ELECTRIC		DRAWN GK 02-10-1988	
		DEC	INCHES			CHK TH 04-20-1993	
		.X	$\pm .1$			APPR MJ 04-20-1993	
5	REDRAWN IN SOIDWORKS	TAT 06-02-2005	ML .XX	$\pm .03$	TITLE OUTLINE		SCALE 3:8
4	REDRAWN IN AUTOCAD	TAT 06-29-2004	ML .XXX	$\pm .005$	56 FR. - TEFC - C' FACE		REF
3	REDRAWN ON CADD	GK 02-10-1988	.XXXX	$\pm .0005$	MAT'L		FMF
NO	REVISION	BY & DATE	CHK ANG	$\pm 7'30"$	FINISH		PREV
THIS DRAWING IN DESIGN AND DETAIL IS OUR PROPERTY AND MUST NOT BE USED EXCEPT IN CONNECTION WITH OUR WORK. ALL RIGHTS OF DESIGN AND INVENTION ARE RESERVED.				RFP	CAD FILE 100103_XX		SIZE A
						DRAWING NO	REV
						100103	5



NO.	REVISION	BY & DATE	CHK	ANG	TOLERANCES UNLESS SPECIFIED		FINISH	DRAWN RM 11/20/1990				
					DEC.	INCHES						
5	CHG TO REGAL LOGO	SL 09/10/2015	AB					CHK ML 11/21/1990				
4	REVISED IEC NOTATIONS	MSG 11/15/2011	CMN	.X	±.1			APPD SAS 04/24/2003				
3	ADDED IEC NOTATIONS... (U1), (V1) ETC. MU95194	MSG 5/10/2010	MJS	.XX	±.02		TITLE CONNECTION DIAGRAM	SCALE 1=1				
2	ADDED THE OPTIONAL CORD CONNECTION MU46318	RDH 04/24/2003	DRS	.XXX	±.005		3Ø - DUAL VOLTAGE MOTOR	REF				
1	REDRAWN	RM 11/20/1990		.XXXX	±.0005		MAT'L.	FMF				
					±7'30"			PREV				
THIS DRAWING IN DESIGN AND DETAIL IS OUR PROPERTY AND MUST NOT BE USED EXCEPT IN CONNECTION WITH OUR WORK ALL RIGHTS OF DESIGN AND INVENTION ARE RESERVED THIS IS AN ELECTRONICALLY GENERATED DOCUMENT - DO NOT SCALE THIS PRINT							RFP	CAD FILE ee7308	SIZE A	DRAWING NO. EE7308	PAGE OF 5	REV. 5
							DIST WP					

## EC Declaration of Conformity

The undersigned representing  
the manufacturer:

Regal Beloit America  
100 East Randolph St.  
Wausau, WI 54401

and the authorized representative  
established within the Community:

Marathon Electric UK  
6F Thistleton Road Ind. Estate  
Market Overton  
Oakham, Rutland LE15 7PP UK

are committed to providing customers with products that comply with applicable regulations and international protocols to which they are subject, including the requirements of the European Parliament Directive on the Harmonization of the laws relating to electrical equipment designed for use within certain voltage limits (2014/35/EU).

Regal Beloit America declares that the following product(s), to which this declaration relates, are in conformity with the relevant sections of the EC standards listed below.

This statement supersedes any statements previously issued pertaining to the product(s) listed below and is subject to change without notice.

Model No : 5K46MN2533

(Model No. may contain prefix and/or suffix characters)

Catalog No : K637

Rework No : N/A

Directives :

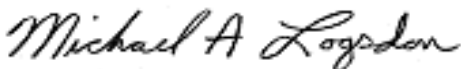
Low Voltage Directive 2014/35/EU

Harmonized Standards Used :

EN 60034-1: 2010 (IEC 60034-1: 2010)

EN 60034-5: 2001/A1:2007 (IEC 60034-5: 2000/A1:2006)

Authorized Representative:



Michael A. Logsdon  
Vice President, Technology

Authorized Representative in the Community:



Julian Clark  
Marketing Engineer

Created on 09/06/2022

**CE 22**